

**Technical data**

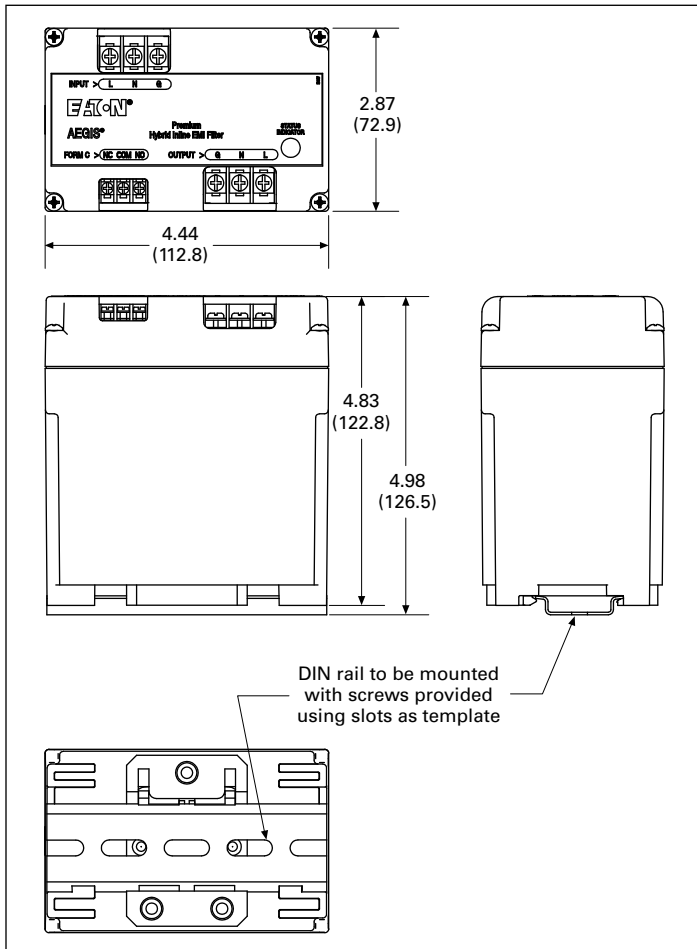


Figure 1. AGPHxxxx dimensions

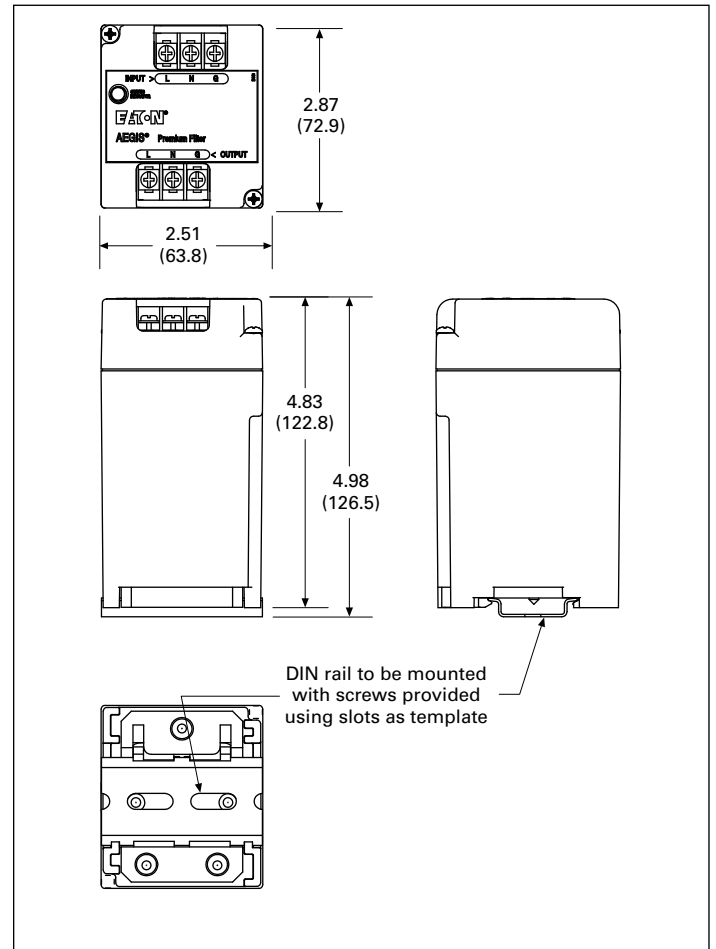


Figure 2. AGPVxxxx dimensions

Table 1. AEGIS PH and PV specifications

	PH 120 Vac	PH 240 Vac	PV 120 Vac	PV 240 Vac
Specification	3, 5, 10, 15, 20 A	3, 5, 10, 15, 20 A	1, 3, 5 A	1, 3, 5 A
DIN mounting	Yes	Yes	Yes	Yes
UL 1283 5th Edition and UL 1449 4th Edition	Yes	Yes	Yes	Yes
Filtering	Yes	Yes	Yes	Yes
EMI/RFI filtering attenuation at 100 kHz	75 dB	75 dB	50 dB	50 dB
L-G, L-N, and N-G protection modes	Yes	Yes	Yes	Yes
Peak kA per phase/mode	60/30	60/30	40/20	40/20
UL nominal discharge current (I <sub>n</sub> )	5 kA	5 kA	5 kA	5 kA
UL voltage protection rating (VPR) L-G / L-N / N-G	330/400/330	600/700/600	330/400/330	600/700/600
MCOV	150	275	150	275
Short-circuit current rating (SCCR)	5 kA	5 kA	5 kA	5 kA
Alarm contacts	Yes	Yes	No	No
Warranty (years) ①	15	15	15	15
Communication line protection (UL 497A)	No	No	No	No

① With product registration.

**AEGIS CF**

The AEGIS Series CF devices provide the widest current ratings with line filtering and surge protection, and are available with optional communication line protection and status contacts.

The AEGIS CF can be used where:

- Higher kA of protection is required
- Good filtering of electromagnetic interference (EMI) and radio frequency interference (RFI) is desired
- Communication line protection is needed
- 120/230/240 Vac or 24/48 Vdc circuits up to 60 A are to be protected

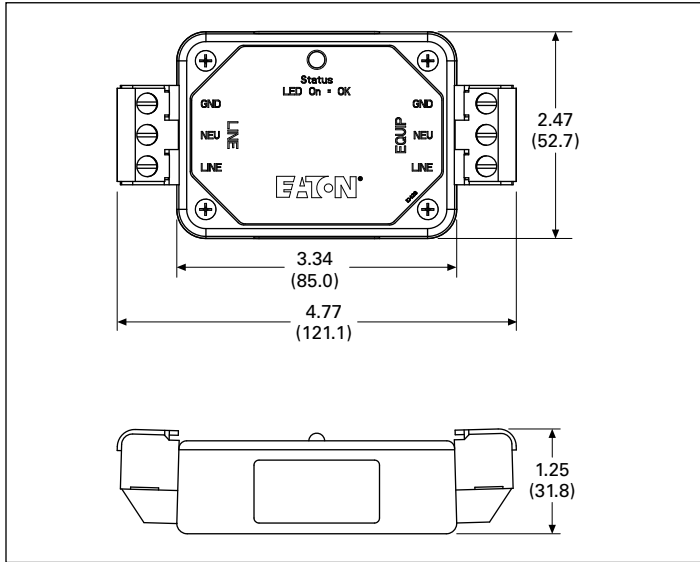


Figure 3. AGCF12010-CP dimensions

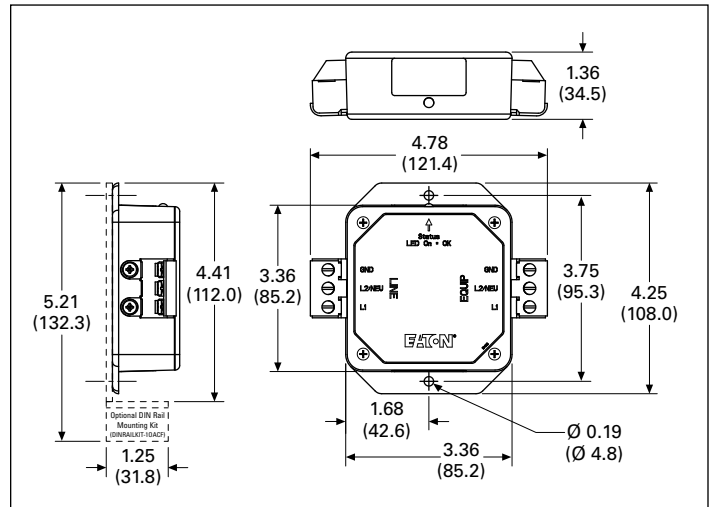


Figure 4. xxCFFxxx10 dimensions

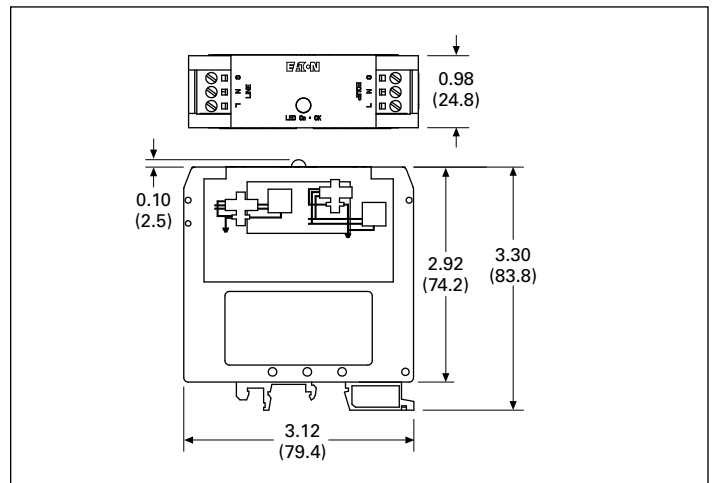


Figure 5. AGCFxxx10-DIN and AGCFxxx10-DIN2 dimensions

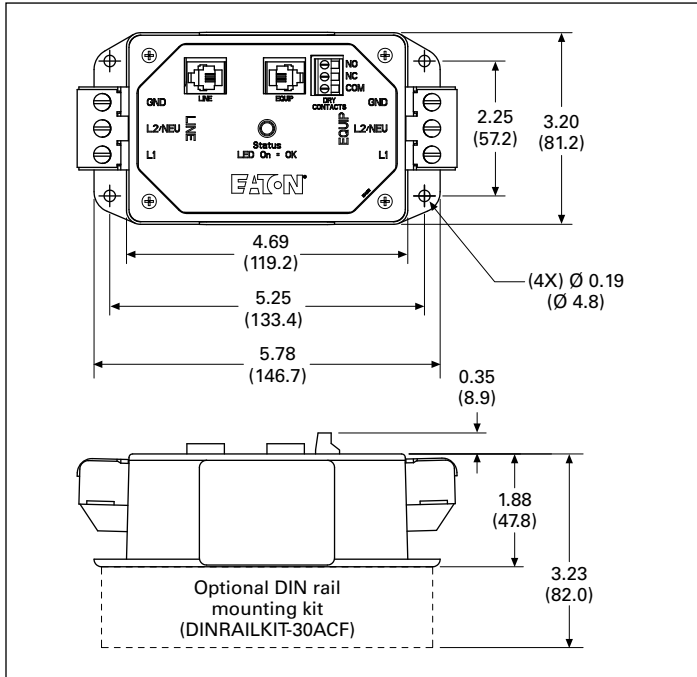


Figure 6. AGCFxxx15 and AGCFxxx30 dimensions

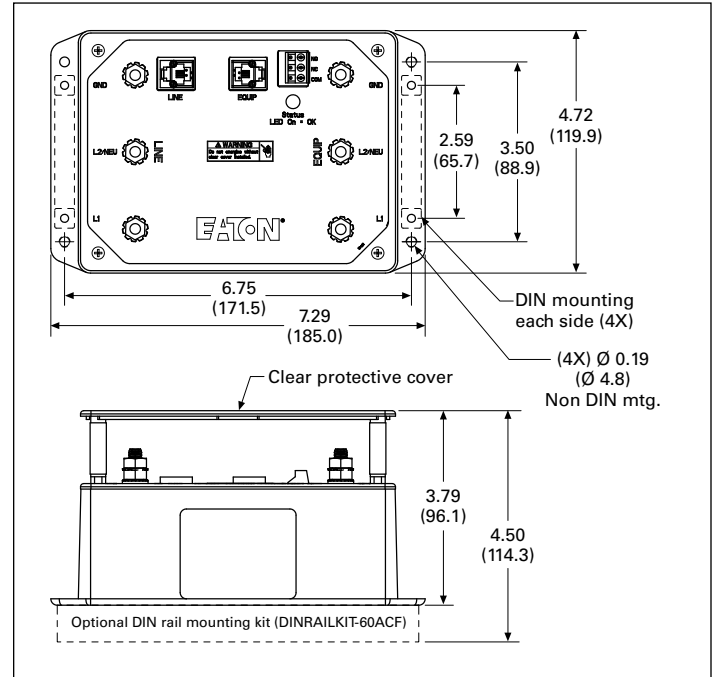


Figure 7. AGCFxxx60 dimensions

Table 2. AEGIS CF specifications

Specifications	CF 24 Vdc		CF 48 Vdc		CF 120 Vac				CF 230 Vac			CF 240 Vac
	10 A	10 A	10 A	10 A	10 A	10 A	30 A	60 A	15 A	30 A	60 A	10 A
DIN mounting	Yes	No	Yes	No	Yes	No	Yes ①	Yes ①	Yes ①	Yes ①	Yes ①	Yes
UL 1283 5th Edition and UL 1449 4th Edition	—	—	—	—	Yes	Yes	Yes	Yes	—	Yes	Yes	Yes
IEC 61000-4.5	Yes	Yes	Yes	Yes	Yes	Yes	Yes	Yes	—	—	—	Yes
Filtering	Yes	Yes	Yes	Yes	Yes	Yes	Yes	Yes	—	Yes	Yes	Yes
EMI/RFI filtering attenuation at 100 kHz	40 dB	40 dB	40 dB	40 dB	40 dB	40 dB	40 dB	40 dB	40 dB	40 dB	40 dB	40 dB
L-G, L-N, and N-G protection modes	Yes	Yes	Yes	Yes	Yes	Yes	Yes	Yes	Yes	Yes	Yes	Yes
Peak kA per phase/mode	6/2	6/2	20/6	20/6	30/10	40/20	80/40	80/40	120/60	120/60	120/60	30/10
UL nominal discharge current (I <sub>n</sub> )	N/A	N/A	N/A	N/A	3 kA	5 kA	5 kA	5 kA	3 kA	3 kA	3 kA	3 kA
UL voltage protection rating (VPR) L-G / L-N / N-G	N/A	N/A	N/A	N/A	500/500/500	500/500/500	500/500/500	500/500/500	800/800/800	800/800/800	800/800/800	990/980/960
MCOV	30	30	50	50	150	150	150	150	275	275	275	275
Short-circuit current rating (SCCR)	10 kA	10 kA	10 kA	10 kA	10 kA	10 kA	10 kA	10 kA	10 kA	10 kA	10 kA	N/A
Alarm contacts	No	No	No	No	No	No	Yes ①	Yes ①	No	Yes ①	Yes ①	No
Warranty (years) ②	10	10	10	10	10	10	10	10	10	10	10	10
Communication line protection (UL 497A)	No	No	No	No	No	No	Yes ①	Yes ①	No	Yes ①	Yes ①	No

① Optional.

② With product registration.

**AEGIS CN**

The AEGIS CN Series provides low-cost surge protection in a compact package.

The AEGIS CN can be used where:

- Only surge and transient voltage protection is needed
- 120/230 Vac or 24/48 Vdc circuits up to 30 A are to be protected

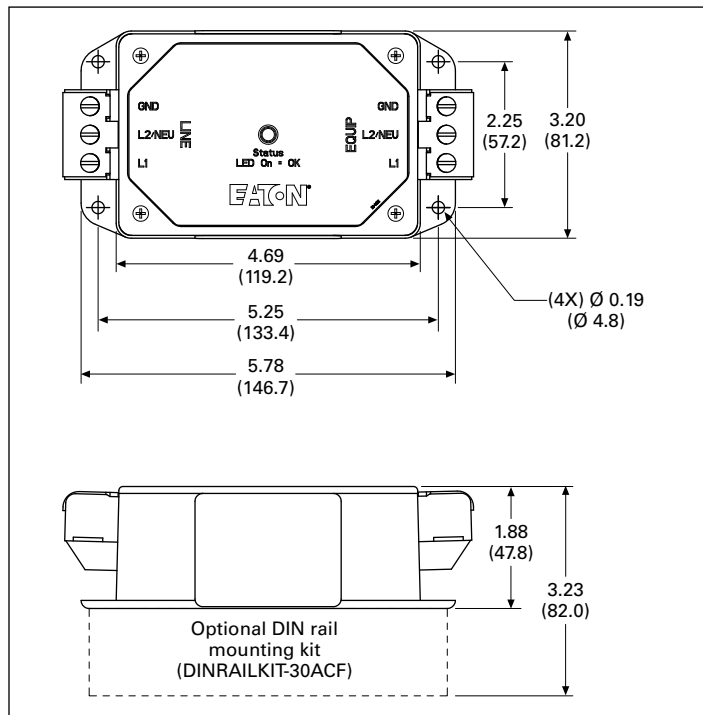


Figure 8. AGCNxxx30 dimensions

Table 3. AEGIS CN specifications

	24 Vdc	48 Vdc	120 Vac	230 Vac
Specifications	30 A	30 A	30 A	30 A
DIN mounting	Yes ①	Yes ①	Yes ①	Yes ①
UL 1449 4th Edition	—	—	Yes	—
Filtering	No	No	No	No
L-G, L-N, and N-G protection modes	Yes	Yes	Yes	Yes
Peak kA per phase/mode	20/6	46/20	80/40	80/40
UL nominal discharge current (I <sub>n</sub> )	N/A	N/A	5 kA	3 kA
UL voltage protection rating (VPR) L-G / L-N / N-G	N/A	N/A	500/500/500	800/800/800
MCOV	30	50	150	275
Short-circuit current rating (SCCR)	10 kA	10 kA	10 kA	10 kA
Alarm contacts	No	No	No	No
Warranty (years) ②	10	10	10	10
Communication line protection (UL 497A)	No	No	No	No

① Optional

② With product registration.

## Performance data

- ANSI/UL 1449 Fourth Edition voltage protection ratings
- UL 1283 Fifth Edition electromagnetic interference filter ratings

**Table 4. Specifications**

Rating	AEGIS Series			
	PH	PV	CF	CN
Application	Single-phase, two- or three-wire grounded systems	Single-phase, two- or three-wire grounded systems	Single-phase, two- or three-wire grounded systems	Single-phase, two- or three-wire grounded systems
Input voltage range—AC	100–127 Vac, 200–240 Vac	100–127 Vac, 200–240 Vac	100–127 Vac, 200–250 Vac	100–127 Vac, 200–250 Vac
Input voltage range—DC	N/A	N/A	5–38 Vdc, 24–65 Vdc, 48–149 Vdc, 150–300 Vdc	5–38 Vdc, 24–65 Vdc, 48–149 Vdc, 150–300 Vdc
Amperage	3, 5, 10, 15, and 20 A	1, 3, and 5 A	10, 15, 30, and 60 A	30 A
Frequency	50/60 Hz	50/60 Hz	50/60 Hz	50/60 Hz
Protection modes	L–N, L–G, and N–G	L–N, L–G, and N–G	L–N, L–G, and N–G	L–N, L–G, and N–G
MCOV	150 V and 275 V	150 V and 275 V	150 V and 275 V	150 V and 275 V
Noise attenuation (normal mode)	74 dB at 100 kHz	56 dB at 100 kHz	48 dB at 100 kHz	N/A
Filter bandwidth	10 kHz to 100 MHz	10 kHz to 100 MHz	10 kHz to 100 MHz	N/A
Peak surge current per phase / per mode	60 kA / 30 kA	40 kA / 20 kA	Up to 120 kA / 60 kA	Up to 80 kA / 40 kA
Operating temperature	–40 °F to +122 °F (–40 °C to +50 °C)	–40 °F to +122 °F (–40 °C to +50 °C)	–40 °F to +140 °F (–40 °C to +60 °C)	–40 °F to +140 °F (–40 °C to +60 °C)
Response time	<1 nanosecond	<1 nanosecond	<1 nanosecond	<1 nanosecond
Agency approvals	UL 1449 4th Edition, UL 1283 5th Edition and CSA	UL 1449 4th Edition, UL 1283 5th Edition and CSA	xxCF230xx UL 1283 5th Edition, EMI filter xxCF120xx UL 1449 4th Edition, UL 1283 5th Edition xxCFxxx10-DIN2 UL 1449 4th Edition, IEC 61000-4.5	xxCNxxx30 UL 1449, UL 1283 5th Edition, EMI filter xxCN12030 UL 1449 4th Edition xxCFxxx10-DIN2 UL 1449 4th Edition, IEC61000-4.5
UL 1449 Type	Type 2	Type 2	Type 2	Type 2
Warranty ①	15 years	15 years	10 years	10 years
Status indicator	LED	LED	LED	LED
Form C contacts	Yes	No	Yes ③	No
Communication line protection (UL 497A)	No	No	Optional	No
External circuit breaker ②	Eaton P/N: WMZT1C25 or equiv. 25 A circuit breaker	Eaton P/N: WMZT1C07 or equiv. 7 A circuit breaker	15 A—Eaton P/N: WMXT1C15 or equiv. 15 A circuit breaker 30 A—Eaton P/N: WMZT1C40 or equiv. 40 A circuit breaker 60 A—Eaton P/N: EGC3100FFG or equiv. 100 A circuit breaker	Eaton P/N: WMZT1C40 or equiv. 40 A circuit breaker

① With product registration.

② External circuit breaker sold separately.

③ Optional on 30 A and 60 A models only.